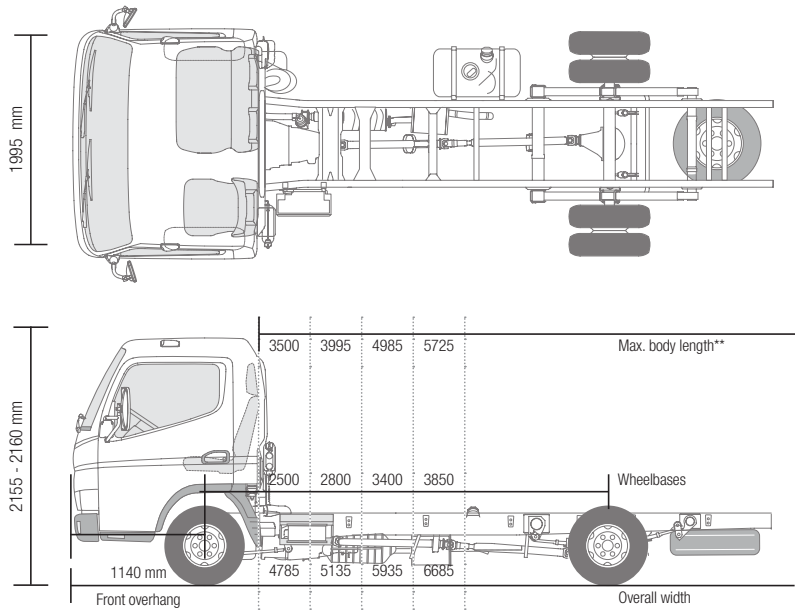




# CANTER 3C13 DUONIC®



Mass/Dimensions	
Model	Vehicle type
	Cab type / Crew
	MB model code
	FUSO model code

		3C13			
		Wide, Single / 3			
	46816211	46816311	46816511	46816711	
	FEB01BL3SEAS	FEB01CL3SEAS	FEB01EL3SEAS	FEB01GL3SEAS	

DIMENSIONS mm					
Wheelbase		2500	2800	3400	3850
Overall length		4785	5135	5935	6685
Cabin length		1625			
Overall width		1995			
Cabin width		1995			
Overall height, approx.		2160		2155	
Tread	Front / Rear	1665 / 1500			
Frame height (back of chassis) approx.		755		750	
Ground clearance, approx.		165			
Cab to rear axle		1975	2275	2875	3325
Cab to frame end		3120	3470	4270	5020
Max. body length**		3500	3995	4985	5725
Frame width		750			
Front overhang		1140			
Rear overhang (to frame end)		1145	1195	1395	1695
Front axle to beginning of body		625			
Recommended cab to body gap		100			

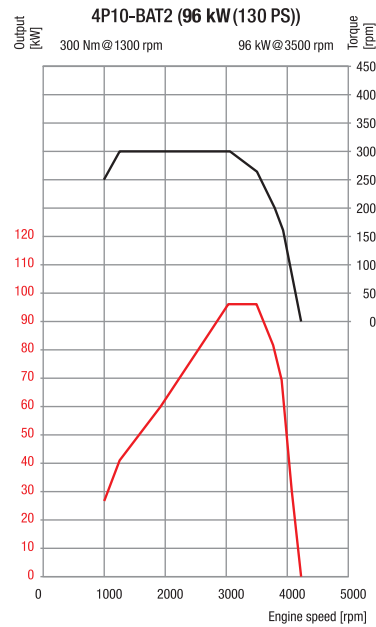
WEIGHTS kg									
Total curb weight*		1980	1990	2015	2030				
	Front* / Rear*	1485	495	1490	500	1500	515	1515	515
Minimum vehicle weight		2255	2260	2280	2295				
Max. GVW / Max. GCW		3500 / 7000							
Axle loads	Front / Rear	1900 / 2500							
Trailing load	Braked / Non-braked	3500 / 750							
Chassis Payload		1520	1510	1485	1470				

CALCULATED PERFORMANCE					
Max. speed w/o speed limiter	km/h	131			
Max. gradeability	(tan q)%	60			
Min. turning radius (m)	Curb to curb	8.6	9.4	11.2	12.4
	Wall to wall	10.0	11.0	12.6	14.0

\* including coolant, oils, 90% fuel, spare tire, tools and 75 kg driver; \*\* calculated maximum value. Should be checked based on installed body and application  
 Subject to change without notice. All the information in this data sheet should be viewed as indicative. The illustrations may show accessories and items of special equipment which are not part of standard specification. This data sheet may also contain models and services which are not available in certain countries.



# CANTER 3C13 DUONIC®



## Engine/Drive Line/Chassis

### ENGINE (Euro 5b+)

Model	4P10-BAT2	
Type	4 stroke, turbo-charged water cooled direct injection diesel engine with intercooler	
No. of cylinders	4 in line	
Piston displacement	2998 cm <sup>3</sup>	
Max. output (EEC)	96 kW (130 PS) / 3500 rpm	
Max. torque (EEC)	300 Nm / 1300 rpm	
Diesel particulate filter	Life span appr. 300000 km	
Alternator	A.C. 12 Volt, 140 Amp	
Emissions aftertreatment	EGR + DPF	
Emissions level	Euro 5b+	
PTO (as option)	Type	31 kW with flange      31 kW for direct connected pumps
	Torque at max power	196 Nm
	PTO Ratio	1:0.655      1:0,651
	PTO speed at max power	1500 rpm

### DRIVE LINE

Transmission	Model	M038S6 (DUONIC® Dual-clutch automated manual transmission)
	Type	Automated Transmission, 6 forward and 1 reverse speed
	Gear ratio	5.397 - 3.788 - 2.310 - 1.474 - 1.000 - 0.701 Rev. 5.397
Final reduction gear	Ratio	4.111 (Opt. 4.444)

### CHASSIS

Front axle / Rear axle	Model	F100T / R015T
	Rating	1900 kg / 2500 kg
Tyre		195/75R16C 107/105 R
		Single front, dual rear
Wheel		16 x 5 JK - 110
Steering		Left hand drive
		Steering bevel gear and power steering with rack & pinion gear, tilt and telescopic column with steering lock
Brake	Service	Hydraulic vacuum assisted 2 circuit split system
	Front / Rear	Disc (217 x 24)
	Parking	Mechanical, internal expanding type mounted on the rear end of the transmission case
	Auxiliary	Exhaust brake (50 kW)
Suspension	Front / Rear	Semi-elliptic laminated leaf spring with shock absorbers and stabilizer
Frame	Type	C-Profile ladder frame
Fuel tank capacity		70 l
Electrical system – batteries		12 Volts (100AH-760A(EN))