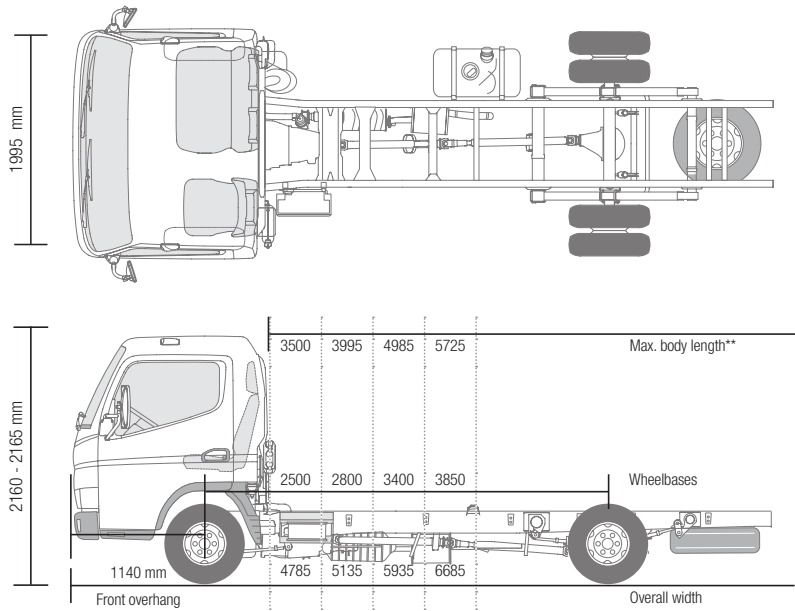




CANTER 3C18



Mass/Dimensions

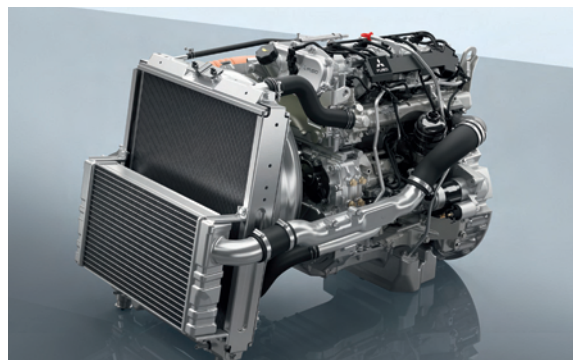
Model	Vehicle type	3C18			
	Cab type / Crew	Wide, Single / 3			
	MB model code	46819211	46819311	46819511	46819711
	FUSO model code	FEB01BL4SEAU	FEB01CL4SEAU	FEB01EL4SEAU	FEB01GL4SEAU

DIMENSIONS mm					
Wheelbase		2500	2800	3400	3850
Overall length		4785	5135	5935	6685
Cabin length		1625			
Overall width		1995			
Cabin width		1995			
Overall height, approx.		2165	2160		
Tread	Front / Rear	1665 / 1500			
Frame height (back of chassis) approx.		755	750	770	
Ground clearance, approx.		165			
Cab to rear axle		1975	2275	2875	3325
Cab to frame end		3120	3470	4270	5020
Max. body length**		3500	3995	4985	5725
Frame width		750			
Front overhang		1140			
Rear overhang (to frame end)		1145	1195	1395	1695
Front axle to beginning of body		625			
Recommended cab to body gap		100			

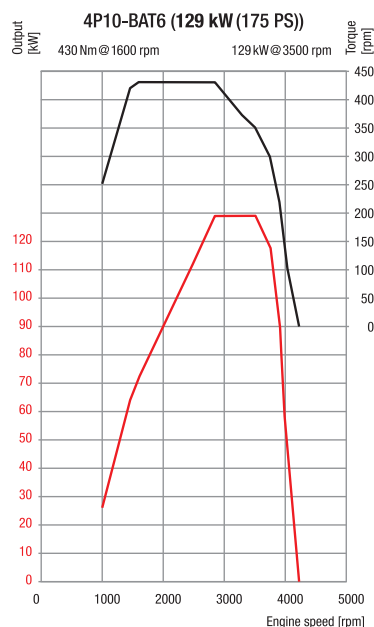
WEIGHTS kg									
Total curb weight*		1965	1975	2000	2015				
	Front* / Rear*	1475	490	1480	495	1490	510	1500	515
Minimum vehicle weight		2235	2245	2260	2275				
Max. GVW / Max. GCW		3500 / 7000							
Axle loads	Front / Rear	1900 / 2500							
Trailing load	Braked / Non-braked	3500 / 750							
Chassis Payload		1535	1525	1500	1485				

CALCULATED PERFORMANCE					
Max. speed w/o speed limiter	km/h	147			
Max. gradeability	(tan q)%	60			
Min. turning radius (m)	Curb to curb	8.6	9.4	11.2	12.4
	Wall to wall	10.0	11.0	12.6	14.0

* including coolant, oils, 90% fuel, spare tire, tools and 75 kg driver; ** calculated maximum value. Should be checked based on installed body and application
 Subject to change without notice. All the information in this data sheet should be viewed as indicative. The illustrations may show accessories and items of special equipment which are not part of standard specification. This data sheet may also contain models and services which are not available in certain countries.



CANTER 3C18



Engine/Drive Line/Chassis

ENGINE (Euro 5b+)		
Model	4P10-BAT6	
Type	4 stroke, turbo-charged water cooled direct injection diesel engine with intercooler	
No. of cylinders	4 in line	
Piston displacement	2998 cm ³	
Max. output (EEC)	129 kW (175 PS) / 3500 rpm	
Max. torque (EEC)	430 Nm / 1600 rpm	
Diesel particulate filter	Life span appr. 300000 km	
Alternator	A.C. 12 Volt, 140 Amp	
Emissions aftertreatment	EGR + DPF	
Emissions level	Euro 5b+	
PTO (as option)	Type	31 kW with flange 31 kW for direct connected pumps
	Torque at max power	196 Nm
	PTO Ratio	1:0.644 1:0.638
	PTO speed at max power	1500 rpm
DRIVE LINE		
Transmission	Model	M038S5 (Manual transmission)
	Type	Manual, 5 forward and 1 reverse speed
	Gear ratio	5.494 - 3.193 - 1.689 - 1.000 - 0.723 Rev. 5.494
Final reduction gear	Ratio	3.909 (Opt. 4.111)
CHASSIS		
Front axle / Rear axle	Model	F100T / R015T
	Rating	1900 kg / 2500 kg
Tyre	195/75R16C 107/105 R	
	Single front, dual rear	
Wheel	16 x 5 JK - 110	
Steering	Left hand drive	
	Steering bevel gear and power steering with rack & pinion gear, tilt and telescopic column with steering lock	
Brake	Service	Hydraulic vacuum assisted 2 circuit split system
	Front / Rear	Disc (217 x 24)
	Parking	Mechanical, internal expanding type mounted on the rear end of the transmission case
	Auxiliary	Exhaust brake (50 kW)
Suspension	Front / Rear	Semi-elliptic laminated leaf spring with shock absorbers and stabilizer
Frame	Type	C-Profile ladder frame
Fuel tank capacity	70 l	
Electrical system – batteries	12 Volts (100AH-760A(EN))	