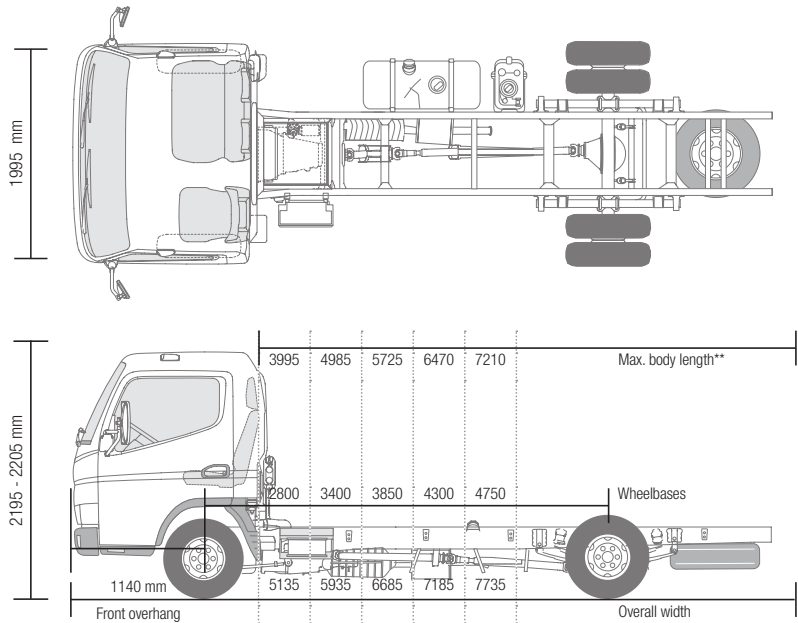




## CANTER 7C15 DUONIC®



### Mass/Dimensions

Model	Vehicle type	7C15				
	Cab type / Crew	Wide, Single / 3				
	MB model code	46846312	46846512	46846712	46846812	46846915
	FUSO model code	FEB71CL3SEAT	FEB71EL3SEAT	FEB71GL3SEAT	FEC71HL3SEAT	FEC71KL3SEAT

### DIMENSIONS mm

Wheelbase		2800	3400	3850	4300	4750
Overall length		5135	5935	6685	7185	7735
Cabin length				1625		
Overall width			2025			2135
Cabin width				1995		
Overall height, approx.		2200		2195		2205
Tread	Front / Rear		1665 / 1560			1665 / 1670
Frame height (back of chassis) approx.				830		
Ground clearance, approx.				185		
Cab to rear axle		2275	2875	3325	3775	4225
Cab to frame end		3470	4270	5020	5520	6070
Max. body length**		3995	4985	5725	6470	7210
Frame width			750			850
Front overhang				1140		
Rear overhang (to frame end)		1195	1395	1695	1745	1845
Front axle to beginning of body				625		
Recommended cab to body gap				100		

### WEIGHTS kg

Total curb weight*		2505	2540	2555	2600	2615
	Front* / Rear*	1635 870	1650 890	1650 905	1660 940	1680 935
Minimum vehicle weight				2650		
Max. GVW / Max. GCW				7500 / 11000		
Axle loads	Front / Rear			3100 / 6000		
Trailing load	Braked / Non-braked			3500 / 750		
Chassis Payload		4995	4960	4945	4900	4885

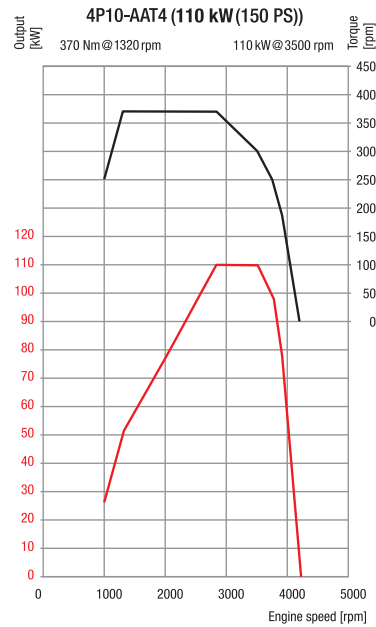
### CALCULATED PERFORMANCE

Max. speed w/o speed limiter	km/h			130		
Max. gradeability	(tan q)%			29.5		
Min. turning radius (m)	Curb to curb	10.4	12.2	13.8	15.2	16.6
	Wall to wall	11.8	13.8	15.2	16.6	18.0

\* including coolant, oils, 90% fuel, spare tire, tools and 75 kg driver; \*\* calculated maximum value. Should be checked based on installed body and application  
Subject to change without notice. All the information in this data sheet should be viewed as indicative. The illustrations may show accessories and items of special equipment which are not part of standard specification. This data sheet may also contain models and services which are not available in certain countries.



# CANTER 7C15 DUONIC®



## Engine/Drive Line/Chassis

ENGINE (Euro VI)				
Model	4P10-AAT4			
Type	4 stroke, turbo-charged water cooled direct injection diesel engine with intercooler			
No. of cylinders	4 in line			
Piston displacement	2998 cm <sup>3</sup>			
Max. output (EEC)	110 kW (150 PS) / 3500 rpm			
Max. torque (EEC)	370 Nm / 1320 rpm			
Diesel particulate filter	Life span appr. 300000 km			
Alternator	A.C. 12 Volt, 140 Amp			
Emissions aftertreatment	EGR + SCR + DPF			
Emissions level	Euro VI			
PTO (as option)	Type	31 kW with flange	62 kW with flange	31 kW for direct connected pumps
	Torque at max power	196 Nm	392 Nm	196 Nm
	PTO Ratio	1:0.655	1:0.727	1:0.651
	PTO speed at max power	1500 rpm		

## DRIVE LINE

Transmission	Model	M038S6 (DUONIC® Dual-clutch automated manual transmission)		
	Type	Automated Transmission, 6 forward and 1 reverse speed		
	Gear ratio	5.397 - 3.788 - 2.310 - 1.474 - 1.000 - 0.701 Rev. 5.397		
Final reduction gear	Ratio	4.875 (Opt. 5.285)		

## CHASSIS

Front axle / Rear axle	Model	F350T / R035T		
	Rating	3100 kg / 6000 kg		
Tyre		205/75R17.5C 124/122 M		
		Single front, dual rear, optimized rolling resistance tyres		
Wheel		17.5 x 6.00 - 127 - 9t - 6 Stud		
Steering		Left hand drive		
		Steering bevel gear and power steering with rack & pinion gear, tilt and telescopic column with steering lock		
Brake	Service	Hydraulic vacuum assisted 2 circuit split system		
	Front / Rear	Disc (252 x 40)		
	Parking	Mechanical, internal expanding type mounted on the rear end of the transmission case		
	Auxiliary	Exhaust brake (50 kW)		
Suspension	Front / Rear	Semi-elliptic laminated leaf spring with shock absorbers and stabilizer		
Frame	Type	C-Profile ladder frame		
Fuel tank capacity		100 l		
Electrical system – batteries		12 Volts (100AH-760A(EN))		